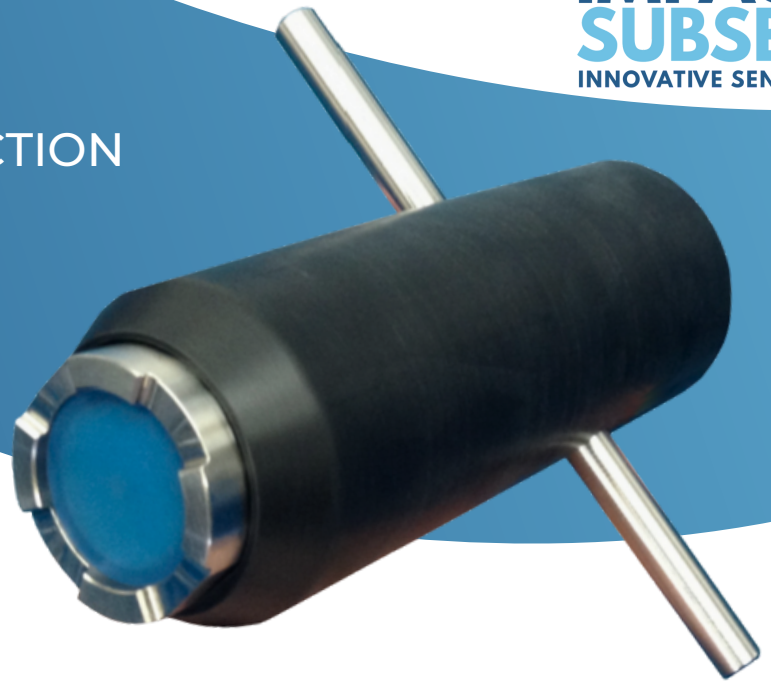


ISFMD

FLOODED MEMBER DETECTION SYSTEM



FEATURES & BENEFITS

- > **SEAVIEW SOFTWARE**
Visualise all readings & generate survey reports.
- > **ISA500 ALTIMETER**
Can operate as altimeter when FMD App is not in use.
- > **TITANIUM PROBE**
Highly robust and long lasting sensor probe.
- > **INTEGRATED AHRS**
Understand exact orientation of probe at time of contact reading.
- > **MULTI-ECHO OUTPUT**
Visualise return if Flooded Member is detected.
- > **DEPTH**
Using the ISD4000, log the Depth & Temperature at time of reading.

Impact Subsea are proud to present the ground breaking ISFMD: the smallest, most advanced and reliable acoustic Flooded Member Detection System available today.

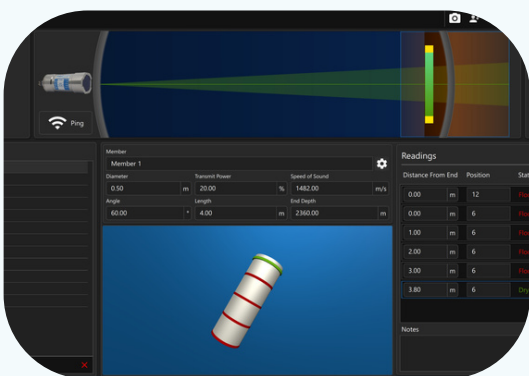
Suitable for Diver or ROV use, the ISFMD utilises a broadband composite transducer probe together with an advanced acoustic engine to provide the highest level of accuracy and reliability in readings.

Through the use of advanced acoustics, the ISFMD system removes the logistical and health & safety issues commonly associated with gamma-ray based Flooded Member Detection Systems.

An optional ISD4000 Depth Sensor can be added to the system to automatically record depth of each checkpoint.

All readings are shown visually in the seaView software package. A final report of all readings taken is automatically generated, ensuring all data is accurately recorded.

The ISFMD Flooded Member Detection System is available for ROV & Diver deployment. The system provides all that is required to conduct a FMD survey in one compact case.

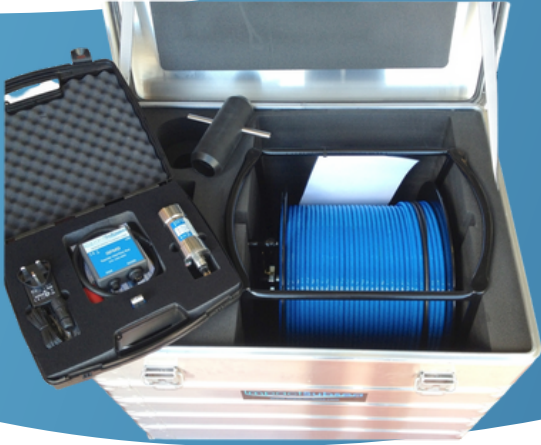


SYSTEM COMPONENTS:

ISA500 Probe | Probe Holder | seaView FMD App | ISD4000 Depth Sensor* | 100 or 200m Cable* | Aluminium Transport Case* | Topside Power Supply*

*Optional





ACOUSTIC

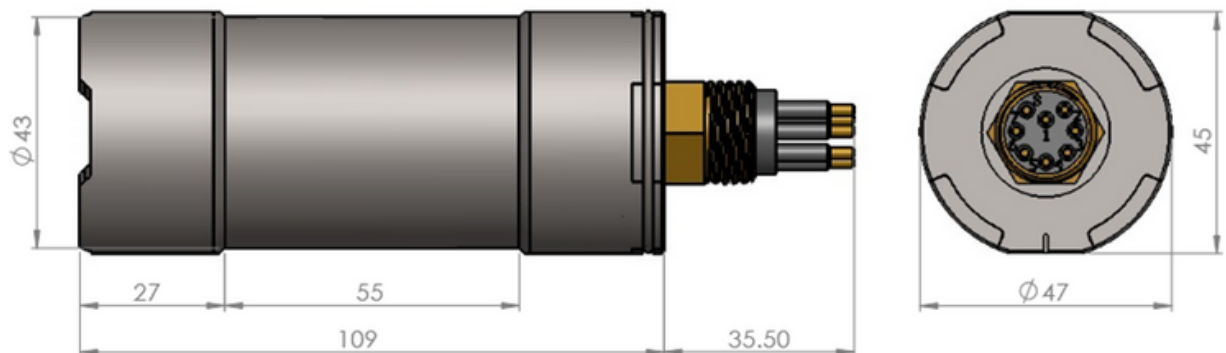
Frequency	500kHz
Range	0.1 to 30m <i>Dependent on member type</i>
Resolution	1mm
Beam Angle	6° conical at 500kHz
Signalling	Monotonic
Pulse Length	Automatic

PROBE PHYSICAL

Depth Rating	6,000m
Temperature	-10 to 40°C Operating -20 to 60°C Storage
Connector	Subconn MCBH8M-SS <i>Other options available</i>
Weight	0.5/0.325kg <i>Air/Fresh water</i>

COMMS & POWER

Digital	RS232 & RS485
Protocol	4800 to 115,200 baud
Data	On demand
Input Voltage	9 to 36V DC
Power Standby	26mA @ 24V DC
Power On Ping	52mA @ 24V DC



Dimensions given in mm.

*Optional