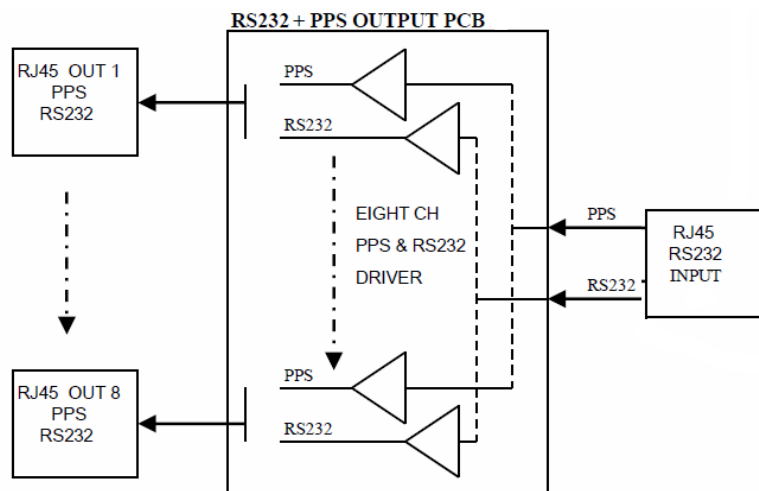


# RTS PPS Box RJ45

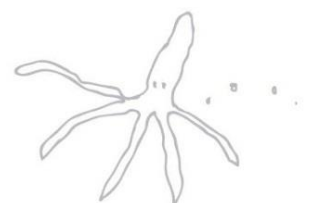


The RTS PPS Distribution box is the key solution for distributing GPS timing signals to survey spreads. It can be used to distribute timing telegrams together with PPS pulse. The system consists of one RS232 splitters combined with a PPS-pulse splitter. Typically used for time synchronization of logging systems and multiple sensor synchronization.



Rev. 1.1

The information in this manual is subject to change without notice and does not represent a commitment on the part of RTS.



## TECHNICAL SPECIFICATIONS

### Connections

Input : 1 x RJ45 PPS + RS232  
Output #1 - #7 : 7 x RJ45 PPS + RS232

### Power

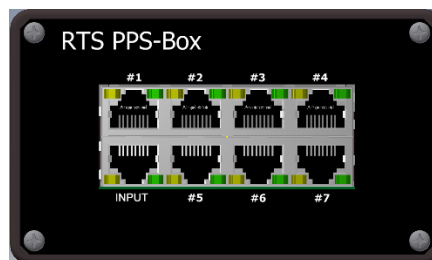
100 - 240V 50-60 Hz AC Supply 15W

### Environmental

Operating temperature -2°C to +55°C  
Weight 1 kg  
Housing Aluminum / Plastic

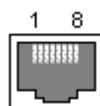
### Dimensions

110mm x 65mm x 180mm (W x H x D)



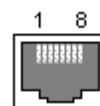
## RJ45 PIN CONFIGURATION

INPUT:



PIN	FUNCTION
1	NC
2	NC
3	Signal GND
4	Signal GND
5	NC
6	RS232 RX
7	PPS INPUT (TTL LEVEL)
8	Signal GND

OUTPUT #1 - #7:



PIN	FUNCTION
1	TTL PPS Out (TTL LEVEL)
2	NC
3	Signal GND
4	Signal GND
5	RS232 TX
6	NC
7	NC
8	NC

## ADAPTERS INCLUDED

### Input port:

1x PPS Box Input adapter cable



PPS Box Input adapter cable

### Output ports:

7x + 1 (spare) customizable “RJ45 Female to D-sub female adapters”



RJ45 Female to D-sub female adapter

Example of RJ45 Female to D-sub female adapter can be wiring.

Output: DB9-F Grey RJ45 Adapter						
DB9-Female	PIN			PIN	Color	RJ45
DCD	1	○	○	1	Blue	TTL Out
RxD	2	○	○	2	Orange	NC
TxD	3	○	○	3	Black	GND
DTR	4	○	○	4	Red	GND
GND	5	○	○	5	Green	TxD
DSR	6	○	○	6	Yellow	NC
RTS	7	○	○	7	Brown	NC
CTS	8	○	○	8	White	NC
RI	9	○	○			