

# RQ-124-TT – Class 5 Torque Tool



## Key Features:

- ISO 13628-8 Fig 18 (API 17D) Class 5
- Max Torque 6,750 Nm (5,000 ft lbs)
- Dual Sensor Electronic Turns Counter)
- Supplied in offshore transit case

## WHATS INCLUDED

Torque Tool.  
 USD.  
 USD Battery Pack.  
 Interconnect Cables.  
 USD Charger.  
 ROV handle.  
 Operational hoses.  
 Operations Manual.

## OPTIONS

Torque Tool Control System.  
 Surface Verification Unit.  
 Subsea Verification Unit.  
 Control Manifold.  
 Subsea Display.

## Description

This torque tool has been specifically developed to provide the highest level of performance using a high specification motor and robust gearbox in an efficient, low weight assembly.

The socket is specially profiled for easy alignment. A range of control accessories is available including a precision surface torque verification unit for pre-dive testing.

The tool conforms to the ISO 13628-8 Fig 18 Class 5 interface used extensively in the subsea industry for pipeline valve operations by ROV. The tool uses a high specification drive motor for consistent torque output characteristics.

The tool is supplied with a rear mounted turns counter readout to display turns subsea.

# RQ-124-TT – Class 5 Torque Tool

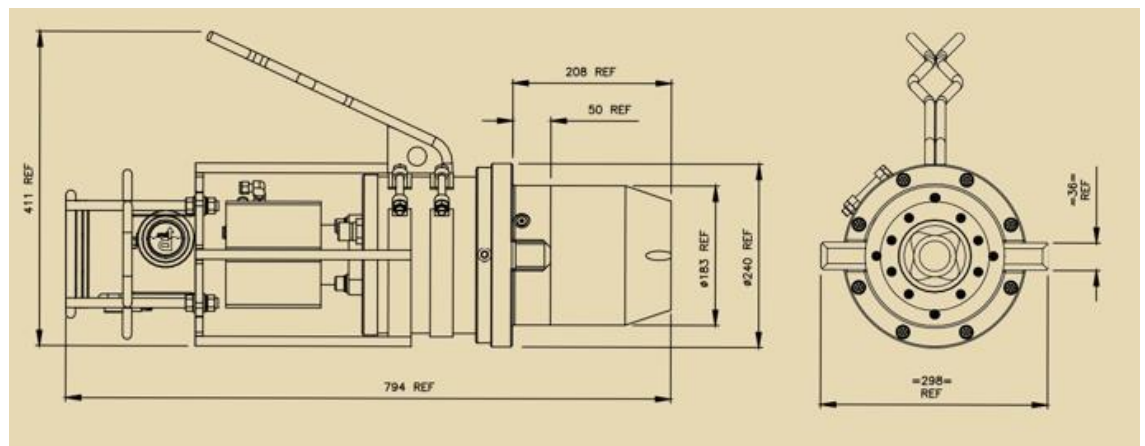
Overall Specifications	
Toque Interface:	ISO 13628-8 Fig 18 (API 17D) Class 5
Max Torque:	6,750 Nm (
Torque Range:	1,350-6,750 Nm (1,000-5,000 ft lbs)
Socket Size:	2" Square
Motor Size:	315 cc
Weight (air/water):	54kg/41kg (119lbs/90lbs)
Hydraulic:	Mineral Oil
Electrical Connector:	8 Pin Burton
Sensors:	Dual Sensor Inductive

## WHATS INCLUDED

- Torque Tool.
- USD.
- USD Battery Pack.
- Interconnect Cables.
- USD Charger.
- ROV handle.
- Operational hoses.
- Operations Manual.

## OPTIONS

- Torque Tool Control System.
- Surface Verification Unit.
- Subsea Verification Unit.
- Control Manifold.
- Subsea Display.



# RQ-124-SVS – Surface Verification System



#### Key Features:

- ISO 13628-8 Fig 18 (API 17D) Class 5
- Max Torque 6,750Nm (5,000 ft lbs)
- Handheld Digital Read Out
- USB output to Torque Tool Control System Supplied in offshore suitable transit case

#### WHATS INCLUDED

Surface Verification System.  
Handheld Display.  
Bucket to Display Cable.  
Operations Manual.

#### OPTIONS

Subsea Version.

#### Description

This unit is used to give pre-dive surface confirmation of the torque tool calibration. It consists of a standard ISO class 5 torque reaction bucket with sturdy base and built in torque sensor. The unit comes complete with USB cable to connect to the FORUM Torque Tool Control System for Auto Calibration.

