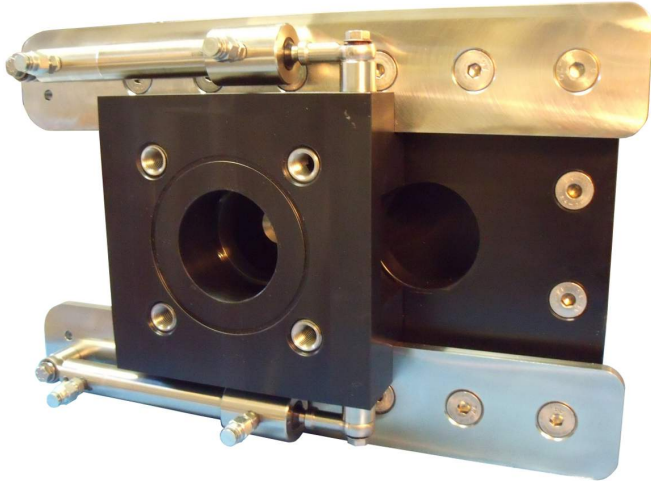


AnchorZip 10

ROV Suction Anchor Pump



The AnchorZip 10 incorporates many advances developed from several years of producing Trittech's industry standard range of ROV mounted jetting and excavation systems.

Specifically designed for ROV deployment, the AnchorZip 10 will interface with most work vehicle hydraulic systems. Vehicles fitted with the AnchorZip 10 will offer a very quick and cost effective way of installing and removing suction anchors. Output pressures may be regulated to ensure that differential pressures remain within the structural limits of all types of suction anchor.

Flow reversal for anchor recovery is achieved simply by sliding the motor and top assembly from the input to the output side of the centrifugal pump.

Safe and reliable suction anchor installation and removal

The Trittech AnchorZip 10 is a unique product which has been developed using the highly successful ZipPump and ZipJet technologies. The AnchorZip 10 is a heavy duty suction anchor pump designed for work-class vehicles able to produce 25hp of hydraulic power.

Benefits

- High efficiency
- High performance
- Easily interfaced
- Proven ZipJet technology
- Worldwide support

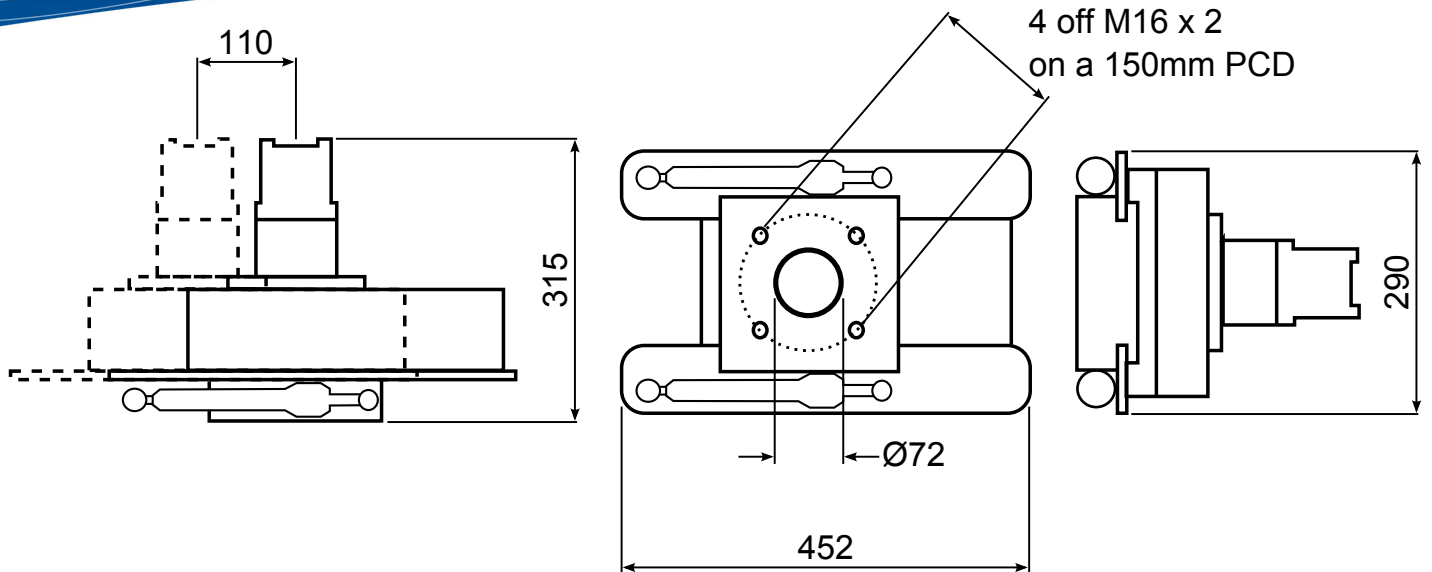
Features

- Flow reversal for anchor recovery
- Variable suction release valve preset
- Durable moving body design

Applications

- Deploy/recover large suction anchors
- Work-class ROV mounting

Specification



Not to scale, dimensions in mm.

Hydraulic Motor Input	
Pressure	276 Bar (4000 psi)
Flow	70 litres per minute (15 USgpm)
Actuator	
Minimum pressure	70 Bar (1000 psi)
Maximum pressure	240 Bar (3480 psi)
Hydraulic Fittings	
Motor A & B	No. 12 JIC male
Motor case drain	No. 6 JIC male
Actuator connection	No. 4 JIC male
Output	
Typical differential pressure	Up to 9.5 Bar (140 psi)
Typical suction flow	Up to 80 cubic metres per hour at 7.5 Bar
Nozzle and Hose Dimensions	
Anchor port connection	Square flange with 72mm port
Minimum hose diameter	72mm (2.8")
Weight and Materials	
Weight in air	30kg (66lb)
Weight in water	14kg (31lb)
Materials	Stainless steel, Nylacast, UHMWPE

Specifications subject to change according to a policy of continual development.

Document: 0712-SOM-00002, Issue: 02

Marketed by:

Tritech International Ltd
 Peregrine Road, Westhill Business Park
 Westhill, Aberdeenshire, AB32 6JL
 United Kingdom
 sales@tritech.co.uk
 +44(0)1224 744 111

