

Key Features:

- Corrosion resistant stainless steel construction
- Open sided jaw design
- Ideal for operation in confined spaces
- Long blade life ensures that tool maintenance is kept to a minimum

Webtool™ WCOS38DLP

Cutters and Grinders

The WCOS38DLP is a low pressure heavy duty wire rope cutter designed for subsea deployment in severe working conditions.



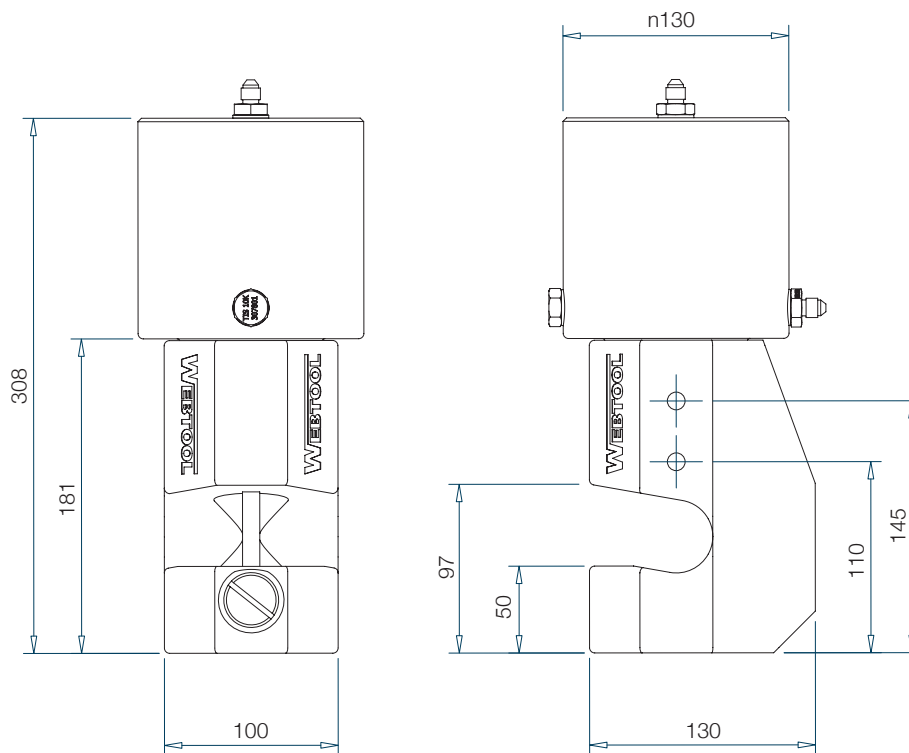
Webtool™ WCOS38DLP

Cutters and Grinders



Specifications

Dimensions	Height	308 mm
	Width	130 mm
Weight	Weight in air	21Kg
Hydraulics	Max input pressure	210 Bar
Cutting capacity	Maximum Ø38mm wire rope of 1770N/mm ² grade	



System Components

38mm hydraulic cutter	Transit case	
Manipulator handle	Spare blade	
Hydraulic hose set		
Operating manual		