

## Key Features:

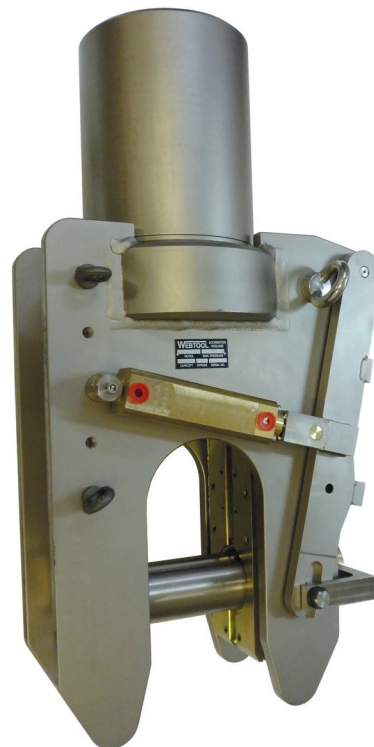
- Heavy duty wire rope cutter designed for use in severe working conditions
- Hydraulically operated anvil for easy ROV deployment
- Robust plated steel and stainless steel construction
- All steel components are electroless nickel plated to resist corrosion
- Long blade life ensures that tool maintenance is kept to a minimum
- Optional intensifier panel is available

## Webtool™ RCV135

### Cutters and Grinders

**The RCV135 is intended for use on steel wire rope having a maximum tensile strength of 1770N/mm and will cut ropes up to 135mm diameter.**

It may be used on alternative materials, such as electrical power or communication cables, again up to a maximum of 135mm diameter. Where smaller diameters are to be cut, every effort should be made to place the material centrally along the anvil to minimise any offset loading.



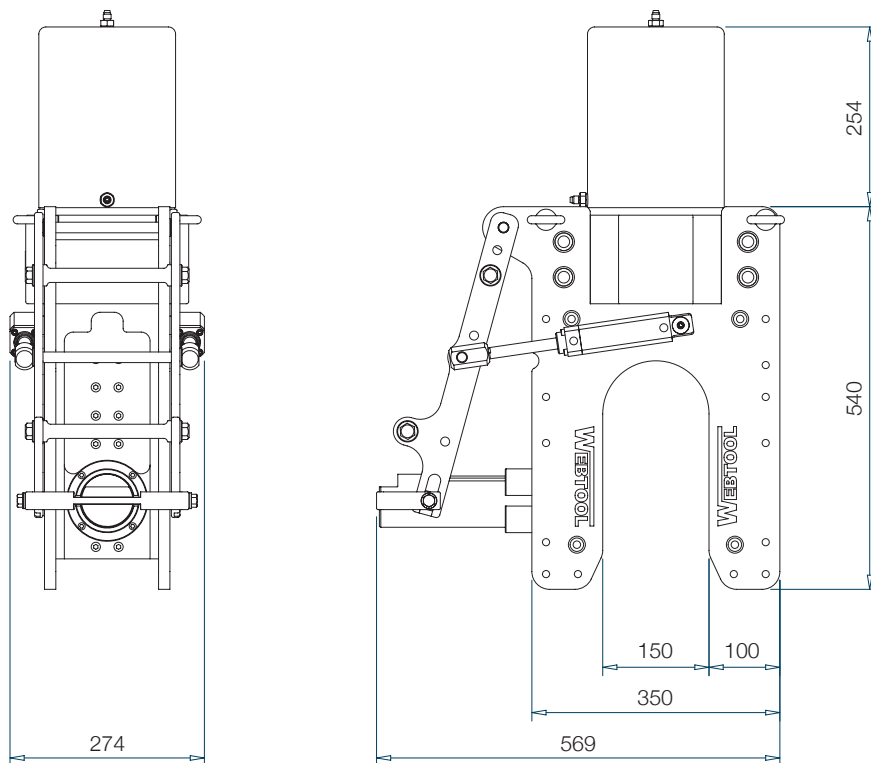
# Webtool™ RCV135

Cutters and Grinders



## Specifications

<b>Dimensions</b>	Height	794mm
	Width	569mm
<b>Weight</b>	Weight in air	176Kg
	Weight in water	152Kg
<b>Hydraulics</b>	Max input pressure (main cylinder)	690 Bar
	Max input pressure (anvil cylinder)	210 Bar
<b>Cutting capacity</b>	Maximum Ø135mm wire rope of 1770N/mm <sup>2</sup> grade	



## System Components

135mm hydraulic cutter	Anvil hydraulic hose set	
Operating manual		
Transit case		
Spare blade		