

Key Features:

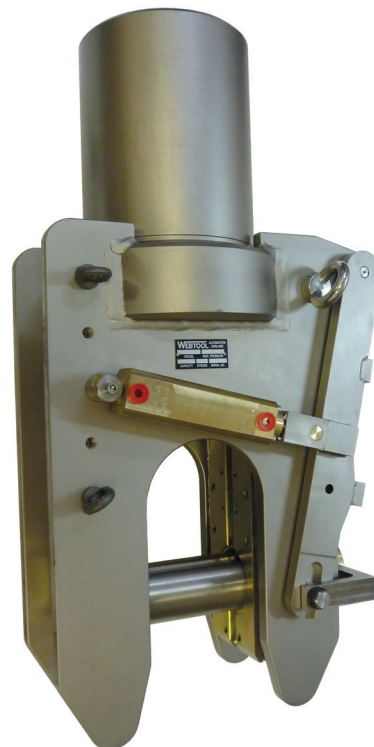
- Heavy duty wire rope cutter designed for use in severe working conditions
- Hydraulically operated anvil for easy ROV deployment
- Robust plated steel and stainless steel construction
- All steel components are electroless nickel plated to resist corrosion
- Long blade life ensures that tool maintenance is kept to a minimum
- Optional intensifier panel is available

Webtool™ RCV115

Cutters and Grinders

The RCV115 is primarily intended for use on steel wire rope, having a maximum tensile strength of 1880N/mm and will cut ropes up to 115mm diameter.

It may be used on alternative materials, such as electrical power or communication cables, again up to a maximum of 115mm diameter. Where smaller diameters are to be cut, effort should be made to place the material centrally along the anvil to minimise any offset loading.



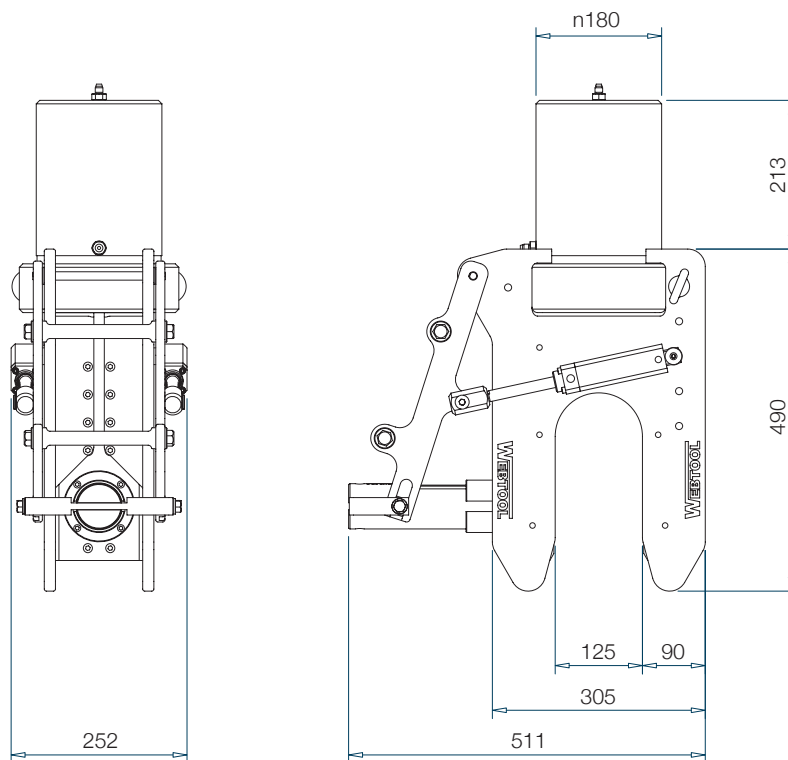
Webtool™ RCV115

Cutters and Grinders



Specifications

Dimensions	Height	703mm
	Width	511mm
Weight	Weight in air	117Kg
	Weight in water	100Kg
Hydraulics	Max input pressure (main cylinder)	690 Bar
	Max input pressure (anvil cylinder)	210 Bar
Cutting capacity	Maximum Ø115mm wire rope of 1770N/mm ² grade	



System Components

115mm hydraulic cutter	Anvil hydraulic hose set	
Operating manual		
Transit case		
Spare blade		