



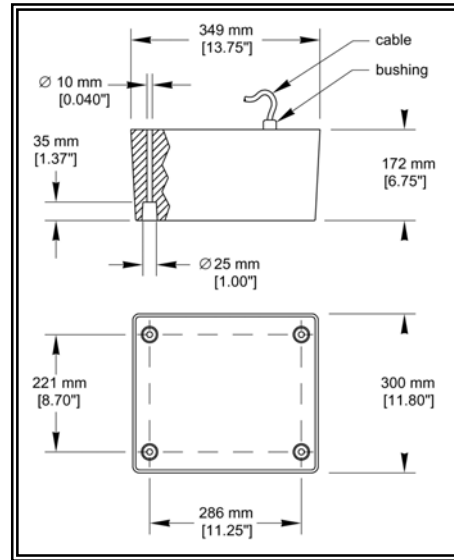
odomhydrographic.com

Odom Hydrographic Systems, Inc.  
 1450 Seaboard Avenue  
 Baton Rouge, LA. 70810 -6261  
 225.769.3051, Facsimile 225.766.5122

## HM200/12-9/25x32



Weight = 25Kg.



### Performance Data

	12kHz	200kHz
Frequency	12kHz	200kHz
Beam Width	25° x 32°	9°
Q (transmit)	5	30
Rated RMS Power	4,200 W	600 W
Balanced Impedance	60 ohms	50 ohms
Peak Figure of Merit	-10	-11
Bandwidth		
Acoustic Window Material	Urethane	Urethane
Cable Type	C44 (2-18 & 2-22 AWG)	C44 (2-18 & 2-22 AWG)
Cable Size	11mm	11mm

The SEALCAST™ urethane housing is durable and is tank or externally mounted. Excellent for deep water surveys.