

Key Features:

- Acute precision control with seven degrees of freedom
- Durable and reliable in harsh subsea environments
- Large operating envelope
- High lift-to-weight ratio

Schilling T4

Manipulators and Accessories

Schilling Robotics' TITAN 4 manipulator is the industry's premier system that offers the optimum combination of dexterity and strength. Hundreds of TITAN manipulators are in use worldwide every day, and are the predominant manipulator of choice for work-class ROV systems.

Constructed mostly from titanium, it is uniquely capable of withstanding the industry's harsh and repetitive needs day after day.



Courtesy of FMC Technologies



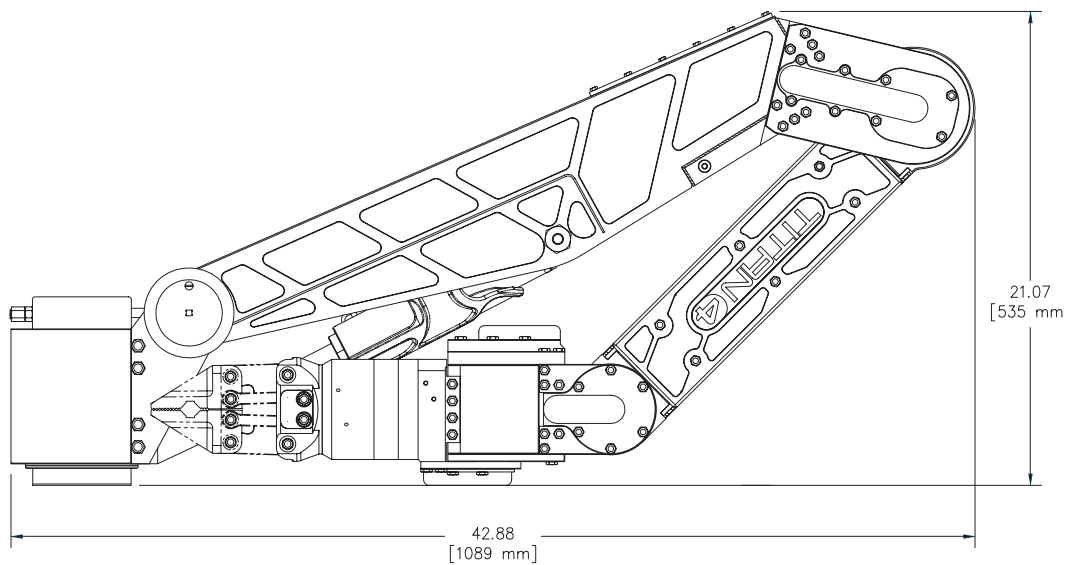
Schilling T4

Manipulators and Accessories



Specifications

Depth	Standard	4000 msw
	Extended	7000 msw
Weight	Weight in air	100Kg
	Weight in water	78Kg
Maximum lift	Lift at full extension	122Kg
	Nominal	454Kg
Hydraulics	Max pressure	3000 PSI
	Flow	5.7 - 19 LPM



System Components

T4 Manipulator	J box plus power lead	Parallel and intermeshing jaws
Master controller	Deck test cable	Mounting bolts
Operating manual	Hydraulic hose set	
Transit case	Compensator	