

CCTV Explosion Proof Mini Colour Camera

CCTV - OCN 100 EXDE - Hazardous Zone 1, Mini Colour Camera

The compact EEx de miniaturized camera housing is manufactured in stainless steel (316L). Ingress protection is minimum IP66. Stainless steel swivel head bracket available as an option.

The camera station is delivered complete with gland, sunshield and thermostatically controlled heating element.

The camera module inside the Ex housing is an advanced high resolution 1/4" type Super HAD CCD camera block with:

Horizontal resolution: 460TVL
 Minimum Illumination: 1.0 lx (50 IRE)
 S/N ratio: >50dB
 Mass (incl. Lens): 230g
 AutoFocus and advanced Autoliris

The very compact and lightweight construction ensures high reliability even at tough physical environment (shock & vibrations) as by offshore oil & gas installations.

Please consult separate datasheets for further detailed information on camera block.

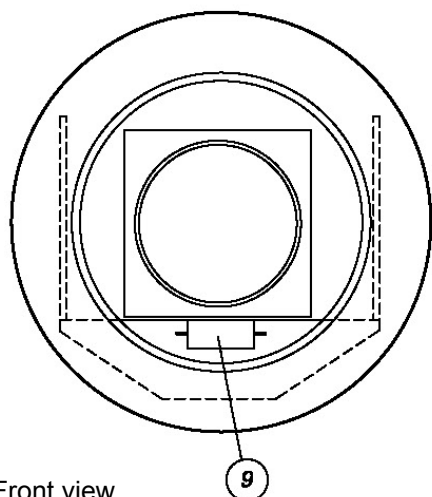
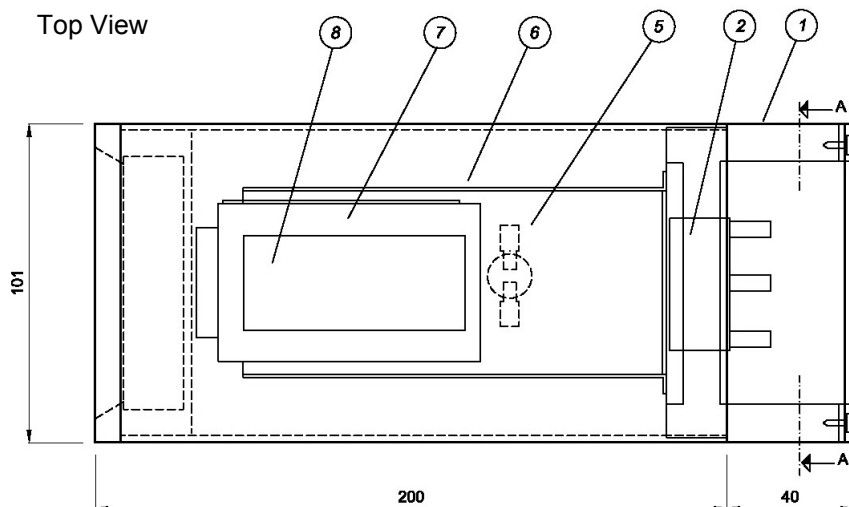


Technical specifications:	OCN 100 EXDE / OCN 100 EXD
Certification, camera:	DNV-2003-OSL-ATEX-0281
Code:	II 2 G EEx d IIC T6/ EEx de IIC T6 Ta: -40 - +55°C
Standard:	EN 50014: 1997 +A1: 1999 +A2: 1999 and EN 50018:2000
Ingress protection:	IP66, option IP67/68
Entries:	EEx d/e gland M20
Materials:	SS 316L
Finish:	Natural
Weight:	4kg approx (excl. bracket)
Power:	6 – 12 VDC, 6,2 W (Active Heater and Motor)
Storage temp/hum:	-20 - +60°C / 20 – 90% Non Condensing
Operating temp:	-40 - +55°C

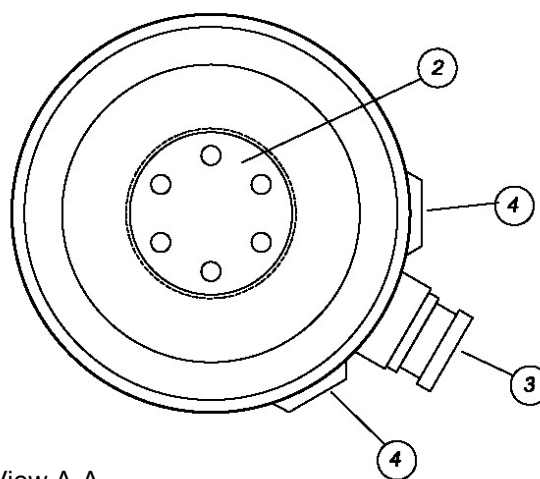
Fugro reserves the right to alter specifications without giving prior notice.



Top View



Front view



View A-A

ITEM	DESCRIPTION	MANUFACTURER	PART NUMBER
1	ENCLOSURE SS316, IP66	TECHNOR	OCN 100 Exde
2	BUSHING M42	STAHL	8171/...
3	GLAND E3xe	VARIOUS	M20 AND/OR M25
4	BLIND PLUG	VARIOUS	M20 AND/OR M25
5	THERMO CONTACT	ELMWOOD	2455R0-L 30C
6	MOUNTING BRACKET	OCEANOR	
7	CAMERA MODULE	SONY	VARIOUS COMPACT BLOCK CAMERAS
8	RELAY PCB	VIDRON	CR PCB
9	HEATER 10W	ARCOL	HS 10, 47 OHN



Fugro GEOS Sdn Bhd
11th Floor
Wisma Genting
28, Jalan Sultan Ismail
50250 Kuala Lumpur
Malaysia

Fugro GEOS Pte Ltd
Loyang Offshore
Supply Base
125 SOPS Avenue
Loyang Crescent
Box No 5187
Singapore 508988

Fugro GEOS
PO Box 43088
Abu Dhabi
UAE

Fugro GEOS Ltd
Fugro House
Hithercroft Road
Wallingford
Oxfordshire
OX10 9RB
UK

Fugro GEOS Inc
PO Box 740010
6100 Hillcroft (77081)
Houston
Texas 77274
USA

Fugro OCEANOR AS
Pir-Senteret
N-7462
Trondheim
Norway

Fugro OCEANOR AS
Luramyrveien 29
N-4313
Sandnes
Norway

Tel: +60 3 2164 6210
Fax: +60 3 2162 9242
meto@geos.com.my

Tel: +65 6543 4404
Fax: +65 6543 4454
singapore@geos.com

Tel: +971 2 55 45 101
Fax: +971 2 55 45 059
gulfmet@geos.com

Tel: +44 (0) 870 4021 500
Fax: +44 (0) 870 4021 599
uk@geos.com

Tel: +1 713 346 3600
Fax: +1 713 346 3605
usa@geos.com

Tel: +47 7354 5200
Fax: +47 7354 5201
oceanor@oceanor.com

Tel: +47 5163 4330
Fax: +47 5163 4331
mail@oceanor.com