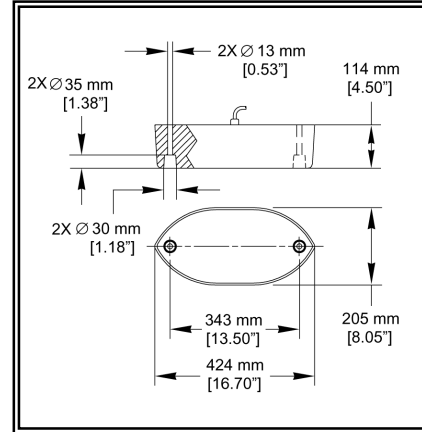
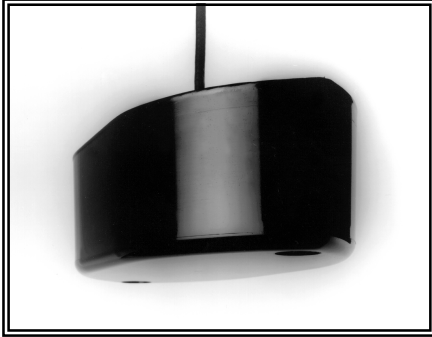




odomhydrographic.com

Odom Hydrographic Systems, Inc.  
 1450 Seaboard Avenue  
 Baton Rouge, LA. 70810 -6261  
 225.769.3051, Facsimile 225.766.5122

## M42



### Performance Data

Frequency	200kHz	24kHz
Beam Width	4°	20°
Q (transmit)		
Rated RMS Power	W	
Balanced Impedance	ohms	
Peak Figure of Merit		
Bandwidth		
Acoustic Window Material	Urethane	Urethane
Cable Type	C43 (2-14 AWG)	C43 (2-14 AWG)
Cable Size	10mm	10mm
Weight	14.5Kg.	14.5Kg.

The M42 houses Odom's best selling dual frequency transducer. Compatible with any hull material, it is best mounted on a fairing. Durable and reliable.