

Datasheet

ROVNav 6 LBL Transceiver and USBL Responder



Description

ROVNav 6 is a 6G[®] ranging and telemetry Long Baseline (LBL) and telemetry transceiver specifically designed for installation on work class ROVs.

Its high power output and Sonardyne Wideband[®]2 signal processing offers improved range and acoustic performance in challenging conditions such as on noisy vehicles or in multipath environments.

ROVNav 6 is also a fully compatible USBL responder or transponder compatible with Sonardyne Wideband[®]1 and 2 USBL systems and HPR400. The internal Li-ion rechargeable battery pack also enables emergency transponder mode, so if the umbilical and therefore power is cut to the ROV it can still be located by USBL.

The rugged Omni-directional remote MF transducer makes installation on a ROV easy.

ROVNav 6 is designed to be rugged though relatively lightweight and utilises robust underwater connectors.

ROVNav 6 supports a range of internal sensors including: strain gauge pressure, direct reading sound velocity, PRT temperature and MEMS based inclinometer.

ROVNav 6 is fully compatible with Sonardyne's modem and logging equipment such as AMT and Fetch products, allowing it to be used to retrieve data or configure logging regimes. It supports all of Sonardyne's Wideband[®]2 spread spectrum acoustic communication; 100 to 9000 bps user data rates can be selected depending on the environment.

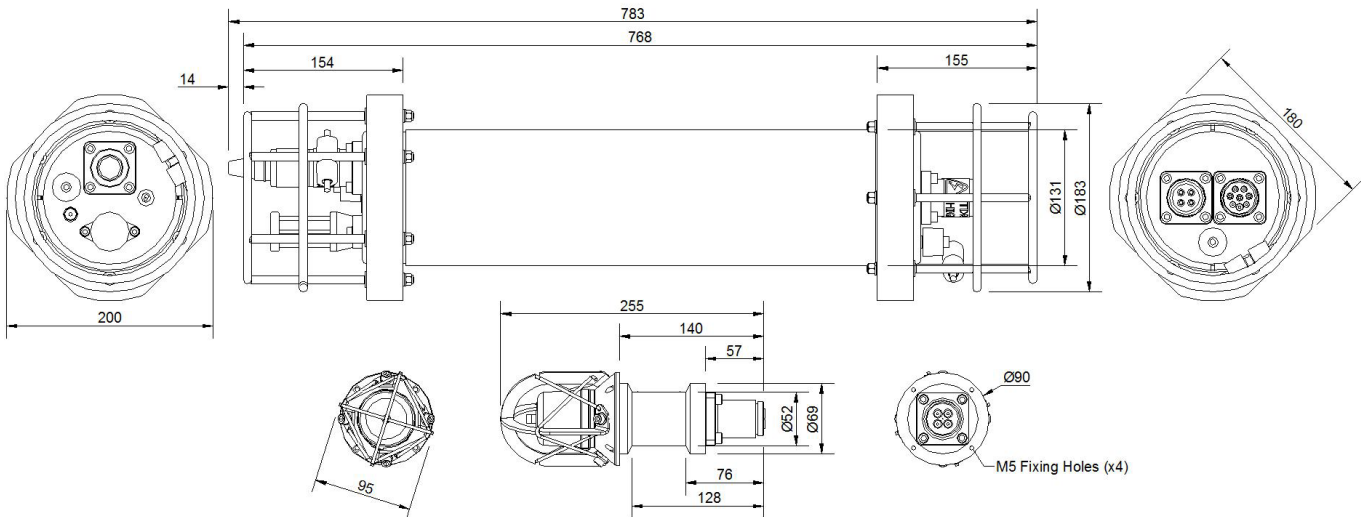
Sensor options include a Digiquartz pressure sensor, precision inclinometer and altimeter interface. This provides a fully featured ROV manipulator deployable tool/sensor pack for a range of different applications including metrology, bathy survey and structure deployment operations, without the requirement for any additional interfacing on the ROV.

Key Features

- High power, long range LBL transceiver
- MF frequency band utilising Sonardyne Wideband[®]2 ranging and telemetry protocols
- More robust performance in shallow water and reverberant environments around structures etc
- Real time diagnostics available on ranges to enable quality control
- USBL compatible responder with emergency transponder mode (Li-ion battery)
- Rugged mechanics and connectors
- Integrated modem capability for data download from Sonardyne AMT/Fetch products at data rates from 100 to 9000 bits per second
- Standard sensors – temperature, pressure, sound velocity and MEMS inclinometer
- 3,000 or 5,000 metre depth rated; 7,000 metre on request
- Field proven

Specifications

ROVNav 6 LBL Transceiver and USBL Responder



Feature	Type 8310
Depth Rating	3,000 or 5,000 Metres (7,000 Metres on request)
Operating Frequency	MF (19-34 kHz)
Transducer Beam Shape	Omni-Directional
Transmit Source Level (dB re 1 µPa @ 1 m)	187-196 dB (4 Levels)
Tone Equivalent Energy (TEE)*	193-202 dB
Receiver Sensitivity (dB re 1 µPa)	90-120 dB
Range Precision	Better Than 15 mm
Operating Voltage	24 or 48 V DC (±10%)
Serial Communications (Software Programmable)	Primary Port: RS232 or RS485 (Half-Duplex) Secondary Port: RS232 or RS485 (Half-Duplex) or SYNC IN
Battery Life (Listening) Li-ion	3 Days
External Power	Sleep <1 W Active (Listening) <3 W Peak (During Transmission) <80 W
Mechanical Construction	Aluminium Alloy, Hard Anodised, S/Steel Guards and Connectors
Dimensions; Length x Diameter	783 mm x 200 mm
Weight in Air (Water)**	13 kg (5.5 kg)
Serial Communications Connector	AGP (8-Way Female)
Remote Transducer Connector	AGP (4-Way Male)

Sensors	
Temperature (±0.1°C)	Standard
Strain Gauge Pressure Sensor (±0.1%)	Standard
High Precision Strain Gauge (±0.01%)	Optional
Inclinometer (Tilt sensor)	Standard
Range ±90°, Accuracy: ±1° (Vertical Orientation)	
Sound Velocity 50 mm (±0.03 m/s)	Standard

*TEE – WBv2+ signals are 4x the duration of Sonardyne tone signals (WBv1 & WBv2 are 2x). The TEE figure shows the operational performance when comparing wideband and tone systems.

**Estimated Weights.