

3000 m “High Resolution” Geared Sonar Head Digital Telemetry



KONGSBERG

P/N 974-23030000

This version of the 1071-Series Sonar has been specifically designed to produce the highest resolution scanning sonar images possible with 675 kHz. Its design is targeted at bottom clearance, body recovery, underwater construction and applications where data clarity supercedes any other requirement.

This sonar head should also be considered in conditions where the in-water temperatures are lower than 4° C, or higher than 20° C. Domed, oil-filled heads may acoustically defocus beyond these temperature ranges. This sonar head incorporates the electronic advantages increased sampling rates, wider receiver bandwidth, increased power output, and a very narrow horizontal beam pattern with the fan transducer. The telemetry is RS 485 and RS 232 compatible, and is automatically sensed and configured. The transducer is of a bare-shaft design, but the motor-end is oil compensated to prevent water ingress into the main electronic stack via the transducer shaft.

The sonar head is compatible with the MS1000 and MS900D Surface Processors. To take full advantage of the advanced features and high resolution this head has to be operated with the MS1000 processor.

Operating Frequency	675 kHz
Beam Width	0.9° X 30° Fan (nominal)
Range	0.5 - 100 Metres typical; 150 Metres obtainable
Range Resolution	≥ 19 mm (@ 1500m/sec speed of sound, 25 μs transmit pulse)
Sampling Resolution	≥ 2.5 mm
Scan Angle	360° continuous
Mechanical Step Size	≥ 0.225°
Scan Speed	nom 11 sec/360° @ 10 m and 1.8° step size (@ 230 kbits/sec.) nom 36 sec/360° @ 100m and 1.8° step size (@ 230 kbits/sec.)
Transmit Pulse Lengths	25 - 2500 μs
Transmit Power	OFF, 50 W nom, 500 W nom
Receiver Bandwidth	12/100 kHz
TVG Control	-20 to +100 dB
Telemetry	RS 485/RS 232 auto switching asynchronous serial data
Telemetry Rates	Downlink: 9600 Baud Uplink selectable: 230K, 115K, 57K, 38K, 19K, 9600 bits/sec automatic (to suit cable telemetry)
Power Requirements	33W, 22 - 60VDC
Temperature Ranges	-10 to +40° C operating -30 to +40° storage
Operating Depth	3000 meters
Connector	Seacon RMG-4-BCL (optional connectors; inquire to factory)
Materials	Aluminum 6061-T6, 300-Series SS
Dimensions	Diameter 3.5"/89 mm Length 19.2"/488 mm Transducer width 5.5"/140 mm
Weight	In air 12.5 lbs/5.7 kg In water 6.0 lbs/2.7 kg
Options:	-7801 Built-in Security Key

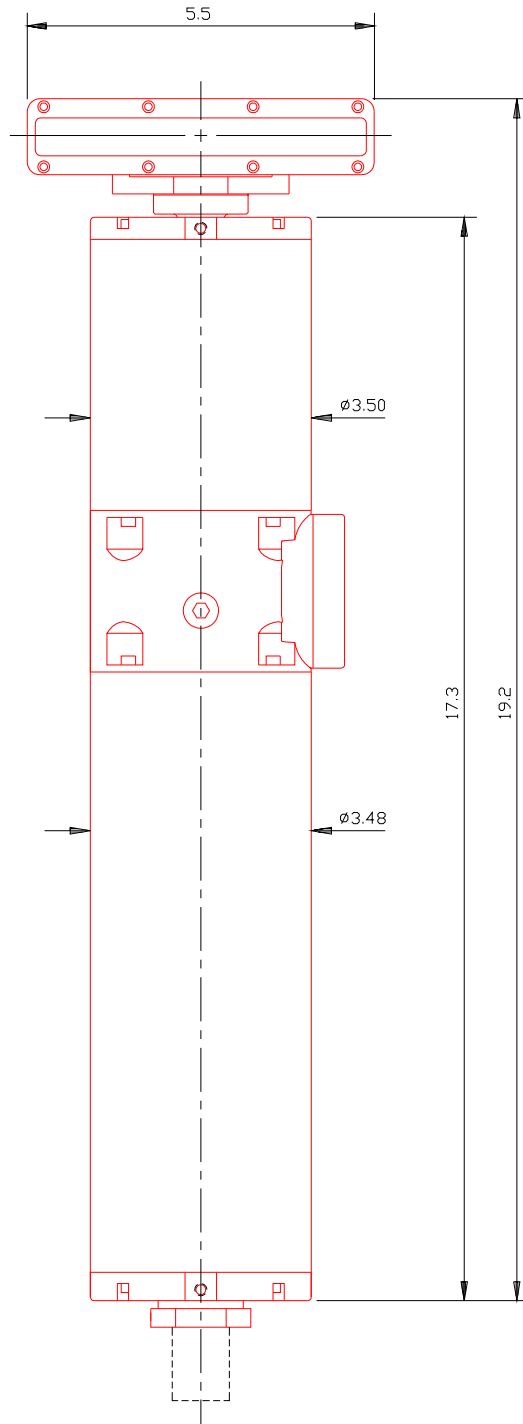
Specifications subject to change without notice

P/N 974-23037901 Iss 1.5

KONGSBERG MESOTECH LTD. 1598 Kebet Way, Port Coquitlam B.C. Canada V3C 5M5

Tel: (604) 464 8144 Fax: (604) 941 5423

P/N 974-23030000



Specifications subject to change without notice

P/N 974-23037901 Iss 1.5

KONGSBERG MESOTECH LTD. 1598 Kebet Way, Port Coquitlam B.C. Canada V3C 5M5

Tel: (604) 464 8144 Fax: (604) 941 5423